



Smith & Wesson

MODEL

422/622/2206/2213/2214

.22 PISTOL



SAFETY & INSTRUCTION MANUAL

**MODEL 422/622/2206/2213/2214
PISTOL
.22 CALIBER LONG RIFLE**

**READ THESE INSTRUCTIONS
AND WARNINGS CAREFULLY,
BE SURE YOU UNDERSTAND
THESE INSTRUCTIONS AND WARNINGS
BEFORE USING THIS FIREARM.**

This SAFETY & INSTRUCTION MANUAL should always accompany this firearm and be transferred with it upon change of ownership or when the firearm is loaned or presented to another person. A copy of the SAFETY & INSTRUCTION MANUAL is available FREE upon request from:

**Smith & Wesson
Product Service Department
2100 Roosevelt Avenue
Springfield, MA 01102-2208**

SAFETY INSTRUCTIONS AND WARNINGS

Smith & Wesson has designed the most reliable firearms available. Smith & Wesson firearms incorporate many safety features; however, safe gun handling is *your* personal responsibility. Firearms are dangerous. Firearms can cause serious injury and death. Safety must be the prime consideration of anyone who handles firearms. Always treat a firearm as though it were loaded. Always keep the muzzle pointed in a safe direction.

In owning a firearm, you must undertake full-time responsibility for your firearm's safety and security. You must protect yourself and all others against injury from the firearm. In particular, you must secure firearms from children.

Do not allow any alteration or replacement of parts in your Smith & Wesson firearm unless performed by a qualified gunsmith using genuine Smith & Wesson parts. If you do otherwise, improper functioning of your firearm and serious injury may result.

Any Smith & Wesson firearm is a precision instrument designed to function reliably with proper care and knowledgeable use. You must understand the safe operation and use of your Smith & Wesson firearm. Read and follow these instructions carefully. Do not use your firearm unless you fully understand these instructions and the safe operation of your firearm.

Many safety features are incorporated in your firearm. For your safety and the safety of others, do not rely on mechanical features alone. Only your safe gun-handling habits will ensure the safe use of your firearm. This is your responsibility. Accidents do not just happen. Accidents are the result of violating the rules of safe gun handling and common sense.

Insure the safe use of firearms. Follow these essential safety instructions and warnings.

BASIC RULES

- **NEVER** point a firearm at anyone or anything you do not intend to shoot.
- Before handling any firearm, understand its operation.
- **ALWAYS** have your firearm pointed in a safe direction.
- Keep your firearm unloaded when not in use.
- Treat every firearm as if it were loaded.
- Never pass your firearm to another person until the cylinder or action is open and you visually check that it is unloaded.
- Place your finger inside the trigger guard only when you are ready to fire.
- If you must carry a loaded firearm, **ALWAYS** carry it with the muzzle pointing in a safe direction. Never carry or store firearms with the hammer in the cocked position.
- **DO NOT** allow a firearm to be used by individuals who do not understand its safe operation and the rules of safe gun-handling.
- **BE SURE** all accessories, such as holsters and grips, are compatible with the firearm and that the accessories do not interfere with safe operation.
- When transporting your firearm, be sure your firearm is unloaded and that the cylinder or action is open.
- Store your firearm unloaded. Safe and secure storage is one of your most important responsibilities.
- Store your unloaded firearm and ammunition separately and in places inaccessible to children and unauthorized persons.
- Be sure of your target and what is beyond your target.

PREPARATION FOR FIRING

- Wear safety glasses and ear protection whether indoors or out.
- Select a place to shoot which has a safe backstop, is free from obstructions and water surfaces which cause ricochets.
- Always be aware of other people so that persons cannot accidentally walk into the line of fire.
- Position the shooter and all others so that they are not within an area where they may be struck by ejected cases.
- Keep fingers and other parts of your body away from the muzzle.
- When firing on a target range, be alert and follow the range officer's commands.
- Before anyone is allowed forward of the firing position, be sure that all cylinders and actions of firearms are open, that chambers are clear of cartridges, magazines are removed, and that firearms are pointing in a safe direction.
- Never use alcoholic beverages or other drugs before or during shooting.
- Be alert at all times. Never shoot if you are tired, cold or impaired in any way.
- Never cross obstacles such as fences or streams with a loaded firearm.
- If you are carrying a loaded firearm in the field, keep the muzzle pointed in a safe direction.
- Think before shooting.

AMMUNITION

- A firearm and ammunition are a system. Their performance is closely related.
- Your firearm has been designed for ammunition of a specific type and caliber, do not alter the barrel, slide, or chamber of your gun.
- Use only ammunition specifically recommended by Smith & Wesson for your firearm. Never mix ammunition.
- Use only commercially manufactured ammunition.
- Never use a cartridge not specifically designated for use in your firearm. Excessive pressure can damage or even blow up any firearm.
- Ammunition with velocities and pressures higher than those for which the firearm was designed, will subject the firearm to additional stress and may cause excessive wear.
- Never use non-standard or reloaded ammunition.
- If your firearm fails to fire when the hammer falls (misfires), keep the firearm pointed in a safe direction, remove your finger from the trigger, wait 10 seconds, remove the cartridge from the chamber and dispose of it properly.
- If you have heard an unusual sound or felt an unusual recoil on firing, stop firing, wait 10 seconds, unload the firearm, and examine the barrel bore for obstructions.
- Make sure your barrel is clear and free of obstructions. If you see an obstruction, return your firearm to Smith & Wesson or take it to a qualified gunsmith. Never fire a firearm with an obstructed barrel.

SPECIFICATIONS

Caliber: .22 Long Rifle

Shot Capacity:

Model 2213/2214

One 8 Round Magazine Furnished

Model 422/622/2206

One 12 Round Magazine Furnished

Barrel:

Field Version:

3", 4½" & 6" Barrels

Fixed Sights

Target Version:

4½" & 6" Barrels, Adjustable Sights

Length Overall:

3" Barrel: Approximately 6¼ (15.56 cm.)

4½" Barrel: Approximately 7½" (19.05 cm.)

6" Barrel: Approximately 9" (22.86 cm.)

Weight (w/empty magazine):

Model 422/622/2213/2214

3" Barrel: 18 oz. (510.3 gr.)

4½" Barrel: 22 oz. (623.7 gr.)

6" Barrel: 23 oz. (652 gr.)

Model 2206

4½" Barrel: 36 oz. (1020.6 gr.)

6" Barrel: 39 oz. (1105.7 gr.)

Stocks:

Model 422/622/2213/2214

Field Version: Minlon

Target Version: Checkered Walnut

Model 2206

Field & Target Version: Minlon

Hammer: .250" Internal

Trigger: .312" Serrated

Trigger Stop: All Model 2206's

Sights: (3", 4½" & 6" Barrels)

Model 2213/2214

Field Version:

Fixed Rear Sight - Steel

(.131" Notch) 2 White Dots

Dovetail Front Sight

(.125" Width Blade) w/White Dot

Model 422/622

Field Version:

Fixed Rear Sight (.131" Notch)

Serrated Ramp Front Sight

(.125" Width Blade)

Target Version:

Adjustable Rear Sight (.125" Notch)

Serrated Ramp Front Sight

(.125" Width Blade)

Model 2206

Field Version:

Fixed Rear Sight - Steel

(.131" Notch) 2 White Dots

Black Patridge Pinned Front Sight

(.125" Width Blade) w/White Dot

Target Version:

Adjustable Rear Sight (.125" Notch)

Black Patridge Pinned Front Sight

(.125" Width Blade)

Sight Radius:

3" Barrel: 4¾" (11.1 cm.)

4½" Barrel: 6" (15.2 cm.)

6" Barrel: 7.5" (19.05 cm.)

Finish:

Model 422/2214

Standard Blue Slide, Black Anodized

Frame, both with non-glare finish.

Model 622/2213

Stainless Steel Slide, Clear Anodized

Frame, both with non-glare finish.

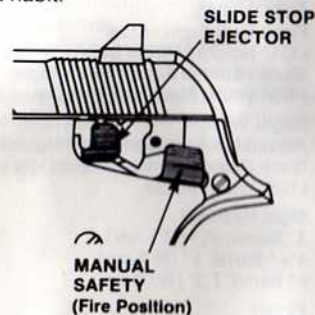
Model 2206

Stainless Steel Slide, Stainless Steel

Frame, both with non-glare finish.

INSTRUCTIONS FOR USE

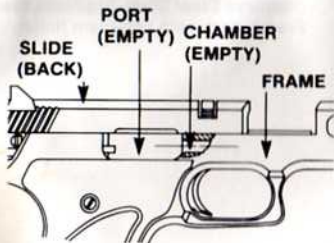
Before proceeding to use this firearm, a word of caution is in order. This pistol is as safe to handle as we can make it, but there is no fool-proof firearm. Be sure that the muzzle is pointed in a safe direction at all times. Keep your finger away from the trigger at all times until you intend to fire. Make safe gun handling a habit.



MANUAL SAFETY LEVER

"Safe" position - The rearmost lever on the left side of the frame is rotated upward; the red dot is not visible.

"Fire" position - The lever is rotated fully down; the red dot is visible.



INSPECTING YOUR PISTOL

With the muzzle pointing in a safe direction, put the manual safety in the "safe" position and remove the magazine by depressing the magazine release button at the front of the grip. Draw the slide to the rear, checking the ejection port on the right side of the pistol to see that the chamber is empty, and lock it in the open position by pushing the slide stop lever upward. The slide stop lever is just forward of the manual safety lever. Check to be sure the barrel bore is clear of obstructions.

LOADING THE MAGAZINE

Depress the follower by pulling downward on the knurled buttons with the thumb and forefinger only far enough to allow insertion of one cartridge at a time with its rim toward the rear. Load the desired number of cartridges. Magazine capacity is ten or eight rounds, depending on model.

The Model 422/622/2206/2213/2214 should only be used with magazines specifically designed for this model. The Model 41 magazine should not be used in the Model 422/622/2206/2213/2214 as it may not properly latch in place and could result in a failure to fire.

INSTRUCTIONS FOR USE (continued)

TO LOAD

Do not load your pistol until you are at the shooting site and ready to use it. Put manual safety in the "safe" position. Do not touch the trigger while loading. Place the magazine in the pistol by pushing it upward into the magazine well (rounded portion toward the front of the pistol) until it is securely latched. An audible click will be heard when the latch is engaged. Excessive force is not necessary. Pointing the muzzle in a safe direction, release the slide to the battery position by pulling it slightly to the rear and letting it go or by pressing down the slide stop lever with the thumb. This will strip a cartridge from the magazine and feed it into the chamber.

TO FIRE

Firing is accomplished by placing the manual safety into the "fire" position and then squeezing the trigger for each shot. The slide will lock open after the last round in the magazine has been fired.

When the pistol is to be carried loaded the manual safety should always be engaged. This pistol is equipped with a magazine safety which prevents it from being fired unless the magazine is securely latched in place.

TO UNLOAD

1. With the muzzle pointing in a safe direction and your finger away from the trigger, place the manual safety in the "safe" position.

2. Release and remove the magazine.

3. Draw the slide rearward to eject any cartridge in the chamber and lock the slide open by pressing upward on the slide stop lever. For safety reasons, be sure that the port is not obstructed by anything that would interfere with the ejection of the cartridge.

4. Look into the ejection port on right side of the pistol to be sure the barrel chamber is clear.

5. **WARNING:** The action of pulling the slide fully to the rear will always cock the pistol. To decock this pistol: a. Carefully follow the procedure "To Unload".

b. Release the slide to the forward position by pulling the slide to the rear and letting it go or by pressing down the slide stop lever with the thumb.

c. Insert an **empty** magazine into the pistol.

d. Place the manual safety into the "fire" position.

e. Point the pistol in a safe direction and pull the trigger.

This pistol is equipped with a "cocked-hammer" indicator in the butt behind the magazine well. The protruding main spring guide sticking out of the pistol indicates that the pistol is cocked. The absence of such a protrusion from the butt indicates that the pistol is decocked.

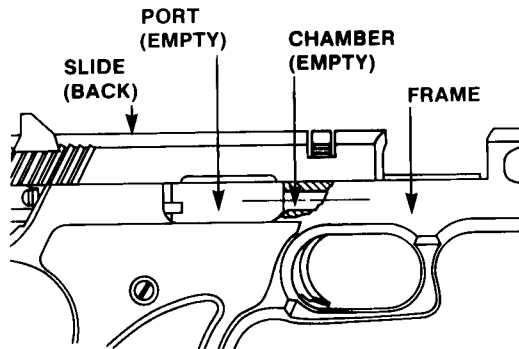
INSTRUCTIONS FOR FIELD STRIPPING, CLEANING AND LUBRICATING

This pistol should be cleaned and lubricated every 400 rounds to insure proper function. We ask that you do not take down this weapon any further than is explained in the following pages.

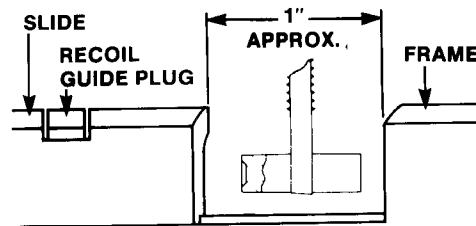
Clean powder and priming residue from all areas, using for this purpose

a good commercial solvent and appropriate brushes or swabs.

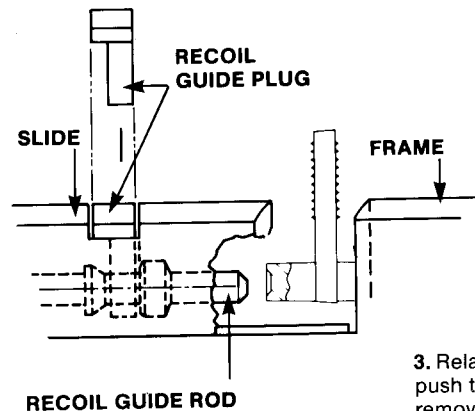
After cleaning and drying all exposed areas, oil lightly using an acid-free gun oil, designated for this purpose. At the same time oil lightly all pivot points and moving contact areas. The bore, chamber, and outside of the gun may be protected by coating lightly with an anti-rust oil or grease.



1. Remove magazine and check for live round in chamber by pulling slide back and looking in port.



2. Pull the slide back approximately one (1) inch and place a safety flag/takedown tool in between the slide and the frame. Never use a loaded cartridge. See illustration.



3. Relax slide on takedown tool, then push the slide forward (slowly) and remove recoil guide plug by lifting it straight up. See illustration.

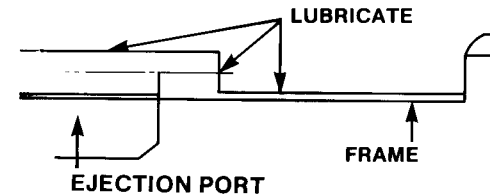
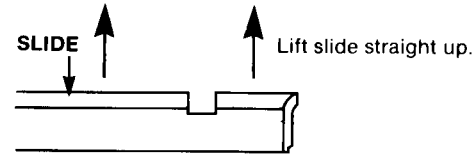
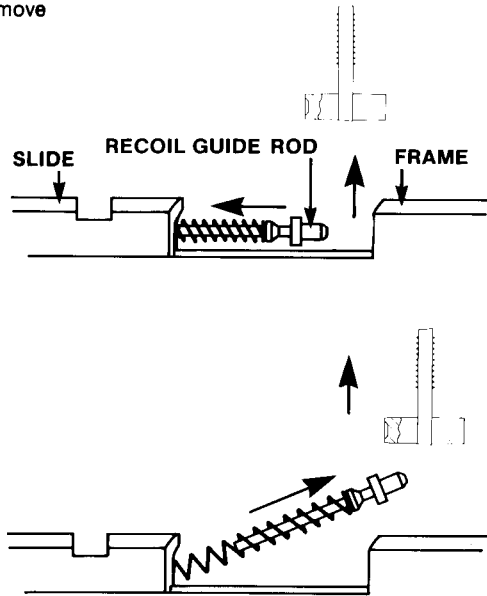
INSTRUCTIONS FOR FIELD STRIPPING, CLEANING AND LUBRICATING (continued)

4. Pull slide all the way to the rear.

DANGER: The spring is under compression; be sure to control recoil guide rod and spring while removing in order to avoid injury or loss of parts.

Pull recoil guide rod back enough to release takedown tool. See illustration.

With slide still to the rear, remove recoil guide rod and spring.



5. With slide to the rear, lift slide straight up off the barrel. See illustration.

6. Remove grips before cleaning weapon with solvent, so as not to damage the grips.

Hammer must be in the cocked position when re-assembling the weapon. Re-assembly is the reverse of disassembly; lubricate in areas indicated.

SIGHT ADJUSTMENT

The sights are adjusted at the factory for point of aim and point of impact. However if an adjustment is required, the rear sight must be moved in whatever direction you wish to move the center of impact at the target.

FIXED SIGHT MODEL

The rear sight is adjustable for windage only, by right or left movement within its dovetailed seat. This is accomplished by applying pressure at the base of the sight, as close to the slide as possible. A wooden dowel works well as it will not damage the finish. Using a small hammer, tap the dowel to drift the sight in the desired direction. Deviations from this procedure could result in damage to your sight.

Corrections for elevation must be made by holding more or less of the front sight blade visible in the rear sight notch.

ADJUSTABLE SIGHT MODEL

The rear sight is fully adjustable for both windage and elevation. The top screw controls elevation and each click raises or lowers the point of impact at the target approximately $\frac{3}{8}$ of an inch at 25 yards. The windage adjustment screw, located on the right of the sight body, controls windage and each click moves the point of impact at the target approximately $\frac{1}{4}$ of an inch at a range of 25 yards (45.72 meters).

NOTE: The point of impact has been set using a 40 grain, .22 caliber Long Rifle high velocity cartridge. However, the point of impact will vary between the standard velocity and high velocity loadings and bullet weight.

TRANSPORTATION AND STORAGE

- Safe firearms transportation and storage are your responsibility.
- When transporting your firearm, whether in cars, trucks, boats, planes or other vehicles, be sure your firearm is unloaded and that the cylinder or action is open.
- Never store your firearm in a loaded condition.
- Store your unloaded firearm and ammunition in places inaccessible to children.
- Store your unloaded firearm and ammunition separately and securely.
- Protect your firearms from theft.
- Protect your firearms from misuse by untrained, unqualified or incompetent persons.
- Obey all laws relating to the transportation of firearms.

STORAGE METHOD

When storing, do not encase your firearm in anything which will attract or hold moisture, for example, leather or heavy cloth. Also, do not store guns with a plug inserted in the barrel for this is a contributing factor to moisture accumulation. If your firearm is to be stored for an extended period, the bore, chambers and internal working mechanism should be oiled with an acid-free lubricating oil or preservative, and the external working mechanisms, frame and barrel should be coated with an antirust oil. Before using your firearm again, be sure to clean it. Every time you clean your firearm, check it for signs of wear. If wear is noted, do not use the firearm. Return it to Smith & Wesson for service or have it checked by a qualified gunsmith.

If your firearm will be used or stored in a cold climate, be sure to use an oil which will not congeal at low temperatures.

SERVICE

Should your Smith & Wesson firearm require adjustment, repair or refinishing, it should be returned unloaded to the factory or to an authorized Smith & Wesson Warranty Service Station. Please consult the list enclosed in the box to find the address of the nearest Service Station. There is no other way for us to insure that the work will be done in a properly equipped and staffed shop.

Firearms returned to the factory or Warranty Service Station must be shipped prepaid and marked for the **Attention of the Service Department or Service Station**. Since we cannot assume responsibility for custom items and accessories such as stocks, special sights and holsters, please **remove these** before returning your firearm. Enclose a letter stating the model and serial number of your firearm and the full nature of the problems experienced or work desired. Adherence to these suggestions will expedite handling of your firearm.

When your firearm arrives at our Service Department, its receipt will be acknowledged. The firearm will be inspected carefully, and your letter of instructions will be carefully read.

In the case of warranty repairs, work will begin immediately upon receipt and examination of the firearm. In the case of repairs or work not covered by warranty, a quotation covering the total cost of work to be done will be sent to you or to the dealer who returned the firearm. Work on your firearm will begin upon receipt of payment. Charges are based upon the cost of parts replaced plus a labor charge for the time expended on the job. A labor charge for one hour is usually sufficient to cover all but extensive overhaul jobs.

In shipping a firearm for repair or service, it is important to comply with all federal, state and local laws. The following will help you.

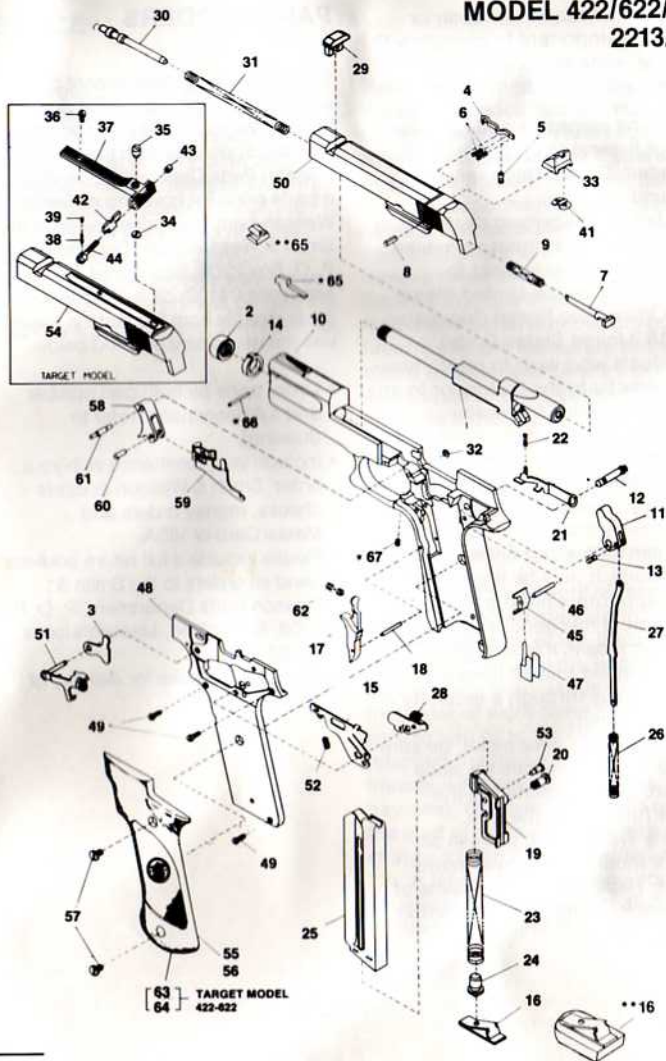
- Check the magazine and chamber of your firearm to insure that it is unloaded. Do not return any live ammunition.
- Only federally licensed dealers may mail handguns. Handguns mailed by individuals are subject to confiscation by the United States Post Office (See Postal Regulation, Title 18, United States Code).
- Individuals who wish to return firearms directly to the factory or to an authorized Smith & Wesson Warranty Service Station can do so by shipping via United Parcel Service which is an independent company unrelated to the U.S. Post Office.
- In certain states and under certain regulations, it may be impossible for us to return a firearm to an individual. If this applies in your state and locale, it is strongly recommended that all firearms be shipped to us through a federally licensed dealer.
- When returning your pistol, be sure to return all magazines because they are directly related to the proper function of the gun.
- Smith & Wesson will refinish all current models of its own manufacture. Repair or replacements of parts are in addition to refinishing price.

PARTS ORDERS

Smith & Wesson replacement parts are available from your local dealer, Smith & Wesson Warranty Service Stations or directly from the Smith & Wesson Parts Department. To obtain a parts price list covering all Smith & Wesson parts and prices, write to the Smith & Wesson Parts Department, P. O. Box 2208, Springfield, Massachusetts 01102-2208. In ordering parts directly from the factory, please use the procedure outlined below.

- Order parts by both part number and full description (refer to drawing).
- Include your remittance with your order. Smith & Wesson accepts checks, money orders and MasterCard or VISA.
- Please include a full return address.
- Send all orders to the Smith & Wesson Parts Department, P. O. Box 2208, Springfield, Massachusetts 01102-2208.
- Allow 2 to 3 weeks for delivery of parts orders.

**MODEL 422/622/2206
2213/2214**



**SMITH & WESSON MODEL 422/622/2206/2213/2214
.22 PISTOL**

PARTS LIST

VIEW # DESCRIPTION

- **1 Barrel 3"
- 1 Barrel 4 1/2"
- 1 Barrel 6"
- 2 Barrel Nut
- 3 Disconnecter
- 4 Extractor
- 5 Extractor Pin
- 6 Extractor Spring
- 7 Firing Pin
- 8 Firing Pin Retain Pin
- 9 Firing Pin Spring
- **10 Frame 3"
- 10 Frame 4 1/2"
- 10 Frame 6"
- 11 Hammer
- 12 Hammer Pin
- 13 Hammer Stirrup Pin
- 14 Lockwasher
- 15 M/S Springplate
- ** Magazine Assembly (8 Shot)
- Magazine Assembly (10 Shot)
- 16 Magazine Butt Plate
- **16 Magazine Butt Plate
- 17 Magazine Catch
- 18 Magazine Catch Pin
- 19 Magazine Follower
- 20 Magazine Pin
- 21 Magazine Safety Lever
- 22 Magazine Safety Spring
- 23 Magazine Spring
- 24 Magazine Spring Plunger
- **25 Magazine Tube (8 Shot)
- 25 Magazine Tube (10 Shot)
- 26 Mainspring
- 27 Mainspring Guide
- 28 Manual Safety
- 29 Recoil Guide Plug
- 30 Recoil Guide Rod

VIEW # DESCRIPTION

- 31 Recoil Spring
- 32 Retaining Ring
- 33 RS Body
- 34 RS EL CL Target
- 35 RS EL Screw Target
- 36 RS Leaf Screw Target
- 37 RS Leaf Target
- 38 RS Plunger Spring Target
- 39 RS Plunger Target
- 41 RS Retaining Spring
- 42 RS Slide Target
- 43 RS Windage Nut Target
- 44 RS Windage Screw Target
- 45 Sear
- 46 Sear Pin
- 47 Sear Spring
- 48 Sideplate
- 49 Sideplate Screw
- 50 Slide
- 51 Slide Stop/Ejector Assembly
- 52 Slide Stop Spring
- 53 Slide Stud
- 54 Slide Target
- 55 Stock LH
- 56 Stock RH
- 57 Stock Screw
- Stock Assembly, LH Target
- Stock Assembly, RH Target
- 58 Trigger
- 59 Trigger Bar
- 60 Trigger Bar Pin
- 61 Trigger Pin
- 62 Trigger Spring
- *65 Front Sight - Pinned
- *65 Front Sight - Dovetail
- *66 Front Sight Pin
- *67 Trigger Stop Screw

This schematic diagram and parts list conform to the current specifications provided by our engineering Department. From time to time improvements are made in all our models. For this reason, the gun which you own may not correspond exactly with the information provided on this sheet. When requesting information or ordering parts for your gun, please provide the serial number, model, and approximate date of purchase.

*Use on Model 2206 only

**Use on Models 2213/2214 only



Smith & Wesson

2100 ROOSEVELT AVENUE, P.O. BOX 2208, SPRINGFIELD, MA 01102-2208 • (413) 781-8300

Printed in U.S.A.
SW10339
REV 1/92