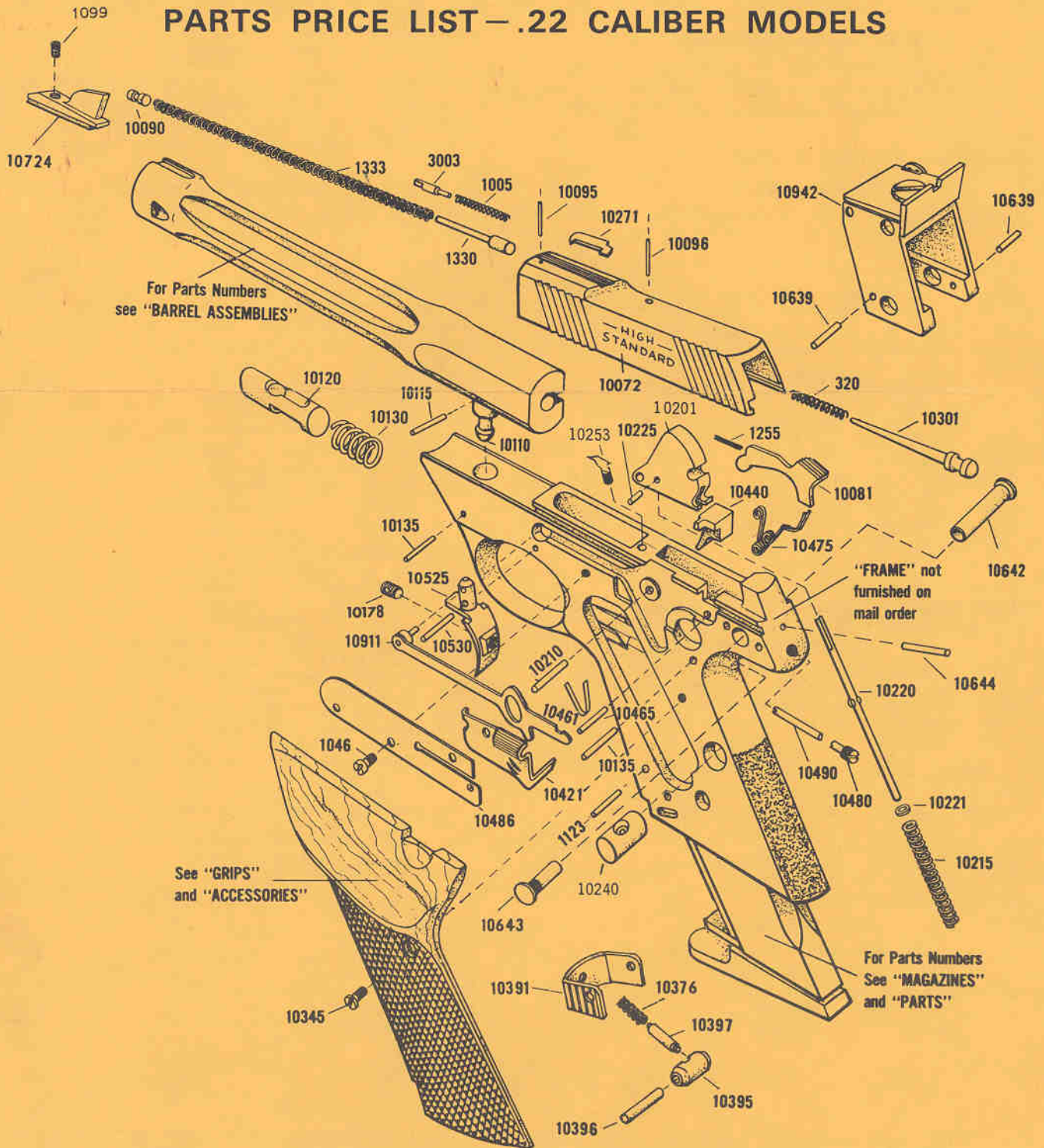


TARGET PISTOLS

Supermatic Tournament — Supermatic Citation — Supermatic Trophy and Olympic Models

STARTING WITH MILITARY MODEL 107 SERIES

PARTS PRICE LIST — .22 CALIBER MODELS



HIGH-STANDARD

.22 CAL. SEMI-AUTOMATIC TARGET PISTOLS PARTS LIST AND PRICES (MILITARY MODEL 107 SERIES)

ST-M-SUPERMATIC TOURNAMENT • SC-M-SUPERMATIC CITATION
STR-M-SUPERMATIC TROPHY • O-M-OLYMPIC • OM-ISU-OLYMPIC ISU

HOW TO ORDER REPAIR PARTS

The following information must be furnished when ordering replacement parts:

1. Model Name and Number
2. Serial Number
3. Number and Name of Parts.

PISTOL SHIPPING INSTRUCTIONS

BONAFIDE DEALERS IN FIREARMS are permitted by postal regulations to send pistols to the factory by Parcel Post. INDIVIDUALS are not permitted to mail firearms and we recommend shipment by railway express.

All shipments to factory must be prepaid.

MINIMUM ORDER \$1.00

A minimum charge of \$1.00 is made on all orders where the

Part Number	Part Name	Model	Price Each
-------------	-----------	-------	------------

NOTE: If ordering for a specific pistol, supply serial number. There is an extra charge of \$4.00 for fitting barrels at the factory.

BARREL ASSEMBLIES

Parts

*With Super Finish

10986	Barrel — Bull — 5 1/2" ST-M		\$17.00
10987	Barrel — Straight — 6 3/4" ST-M		13.00
10982	Barrel — Bull — 5 1/2" SC-M		18.00
10983	Barrel — Fluted — 7 1/4" SC-M		18.50
*10980	Barrel — Bull — 5 1/2" STR-M		21.00
*10981	Barrel — Fluted — 7 1/4" STR-M		21.50
10985	Barrel — Bull — 5 1/2" O-M		18.00

BARREL WEIGHTS AND SCREWS FOR 7 1/4" FLUTED TYPE AND 5 1/2" BULL BARRELS FOR SUPERMATIC CITATION, TOURNAMENT, TROPHY AND OLYMPIC PISTOLS

10144	Barrel Weight (Round Type — 2 oz.) All Models	2.00
10149	Barrel Weight (Round Type — 3 oz.) All Models	2.50
10163	Barrel Filler Screws (For bottom of Barrel)	.30
10168	Barrel Weight Lock Screws (2 required for each weight)	.30

BARREL WEIGHTS (FOR TAPERED-BARRELS ONLY)

For Olympic I.S.U. Military Pistol

10142M	Barrel Weight — Short (includes R.H. Bracket #10155 — L.H. Bracket #10157 — 1 Screw #10166)	3.50
10147M	Barrel Weight — Long (includes R.H. Bracket #10150 — L.H. Bracket #10152 — 1 Screw #10166)	3.50

GRIPS, GRIP SCREWS

Walnut Checkered Thumb — Rest Grips (Right Hand)

Sold Only in Matching Pairs

10323	Grips, Right Hand — All Models	4.00
10322	Grips, Left Hand — All Models Includes grip screw (2) and washer (2)	4.75

normal cost would be less than \$1.00. If you wish, order extra parts to make up the minimum charge.

PAYMENT

All parts shipments will be made by Parcel Post C.O.D. unless advance remittance is made. PLEASE DO NOT SEND CASH OR STAMPS. Checks, Money Orders, or Drafts are acceptable and will save you C.O.D. charges.

FACTORY SERVICE

If parts are to be fitted at the factory, send pistols marked for the attention of our SERVICE DEPARTMENT, furnishing complete and specific repair instructions. A cost estimate of the parts and labor charges will be immediately sent for your approval before work is started.

Unless a flat rate charge is specified, a MINIMUM of \$6.50 will be charged on servicing pistols at the factory.

Part Number	Part Name	Model	Price Each
-------------	-----------	-------	------------

Walnut Checkered Thumb — Rest Grips (Left Hand)

Sold Only in Matching Pairs

10327	Grip, Right Hand — All Models		4.75
10328	Grip, Left Hand — All Models Includes grip screw (2) and washer (2)		4.00

Plain Checkered Walnut Grips

Sold Only in Matching Pairs

10323	Grip, Right Hand — All Models		4.00
10328	Grip, Left Hand — All Models Includes grip screw (2) and washer (2)		4.00

For Walnut Grips

10345	Grip Screw (2) — All Models		.60
10346	Grip Screw Washer (2) — All Models		.50
1123	Grip Alignment Pin — All Models		.30

MAGAZINES

10380	Magazine (.22 L. Rifle) ST-M-SC-M-STR-M	5.50
10385	Magazine (.22 Shorts) OM-I.S.U.-O-M	6.50
1524	Magazine Button — All Models	.30
10391	Magazine Catch — All Models	1.25
10376	Magazine Catch Spring — All Models	.30
10396	Magazine Catch Roller Pin — All Models	.50
10395	Magazine Catch Roller — All Models	.50
10397	Magazine Catch Spring Guide Pin — All Models	.30

Parts

10365	Magazine Follower (For Long Rifle)	1.00
10360	Magazine Follower (For .22 Short)	1.25
10371	Magazine Floor Piece — All Models	.75
1120	Magazine Spring (For Long Rifle)	.60
1220	Magazine Spring (For .22 Short)	.60

SIGHTS

Front

10725	Sight, Front 5 1/2" — ST-M-SC-M-STR-M-O-M	2.00
10626	Sight, Front 6 3/4" — ST-M	2.00
10724	Sight, Front 7 1/4" — SC-M-STR-M	2.00
10726	Sight, Front 6 3/4" — O-M-I.S.U.	2.00
1099	Sight, Front Screw — All Models	.30

CAUTION: FOR SAFETY'S SAKE DO NOT ATTEMPT TO REPAIR PISTOLS WITHOUT RECEIVING RELIABLE A

Part Number	Part Name	Model	Price Each
Rear			
10941	Sight, Rear Adjustable Assembly —	ST-M	13.75
10942	Sight, Rear Adjustable Assembly — SC-M-STR-M-O-M-O-I.S.U.		18.00
(Suggest for Factory Installation Only)			
Parts			
10640	Sight, Rear Base —	ST-M	3.50
10641	Sight, Rear Base Bracket —	SC-M-STR-M-OM-OM-I.S.U.	6.50
10644	Sight, Rear, Base Frame Assembly Pin — SC-M-STR-M-OM-O-I.S.U.		.30
10690	Sight, Rear Cross Member —	All Models	.60
10660	Sight, Elevation Adjustment Screw —	All Models	1.50
10695	Sight, Elevation Ball (2) —	All Models	.50
10642	Sight, Base Sleeve —	SC-M-STR-M-O-M-O-I.S.U.	.50
10643	Sight, Base Stud —	SC-M-STR-M-O-M-O-I.S.U.	.50
10639	Sight, Base Alignment Pin — SC-M-STR-M-O-M-O-I.S.U.		.30
10665	Sight, Elevation Detent Plunger —	All Models	.50
10654	Sight, Elevation Plunger —	All Models	.50
10657	Sight, Elevation Spring (2) —	All Models	.30
10646	Sight, Leaf —	All Models	4.50
10681	Sight, Leaf Pivot Pin —	SC-M-STR-M-O-M-O-I.S.U.	.30
10680	Sight, Leaf Pivot Pin —	ST-M	.30
10671	Sight, Windage Screw —	SC-M-STR-M-O-M-O-I.S.U.	1.50
10670	Sight, Windage Screw —	ST-M	1.50
10650	Sight, Retaining Pin —	ST-M	.30
10687	Sight, Windage Detent Plunger —	All Models	.50
1255	Sight, Windage Detent Plunger Spring —	All Models	.30
10675	Sight, Windage Spring —	All Models	.30

SLIDES

NOTE: Slides should be fitted by a reliable gunsmith or at the factory. Olympic slides are for .22 Short Cartridges only and are not to be used with .22 Long Rifle Cartridges.

Parts			
*With Super Finish			
10073	Slide only —	ST-M	13.50
10973	Slide Assembly —	ST-M (Without Rear Sight)	17.60
10071	Slide only —	SC-M	13.50
10971	Slide Assembly —	SC-M	17.60
*10072	Slide only —	STR-M	14.50
*10972	Slide Assembly —	STR-M	18.70
10061	Slide only —	OM-OM-I.S.U.	13.50
10970	Slide Assembly —	OM-OM-I.S.U.	17.60

STABILIZER

*Parts with Super Finish			
10170	Stabilizer, Complete —	SC-M-O-M	5.50
with set screws & wrench, cleaning tool			
*10169	Stabilizer, Complete —	STR-M	6.50
with set screws & wrench, cleaning tool			
10160	Stabilizer Set Screws —	SC-M-STR-M-O-M (2 required)	.60
10171	Stabilizer Cleaning Tool —	SC-M-STR-M-O-M (For detachable stabilizer)	.60
10162	Wrench, Allen 1/16" —	SC-M-STR-M-O-M (For stabilizer set screws)	.30

Special Note:

Optional Trigger gives a longer finger reach between Trigger and Back Straps of Frame. (Same distance as 45 Military Pistol.)

This Trigger can be purchased from the factory (See part numbers above).

Caution: Trigger should be installed by a competent gunsmith.

Part Number	Part Name	Model	Price Each
Parts			
*Parts with Super Finish			
10110	Barrel Stud —	All Models	1.00
10115	Barrel Stud Retaining Pin —	All Models	.30
10120	Barrel Takedown-Plunger —	All Models	2.50
10135	Barrel Takedown Plunger Pin —	All Models	.30
10130	Barrel Takedown Plunger Spring —	All Models	.30
1333	Driving Spring —	All Models	.30
10090	Driving Spring Plug —	All Models	.30
10095	Driving Spring Plug Pin —	All Models	.30
1330	Driving Spring Plunger —	All Models	.70
10253	Ejector (Stud Type) —	All Models	.70
10270	Extractor —	ST-M-SC-M-O-M-O-I.S.U.	.75
*10271	Extractor —	STR-M	1.00
3003	Extractor Plunger —	All Models	.30
1005	Extractor Spring —	All Models	.30
10301	Firing Pin —	All Models	1.25
10096	Firing Pin Retaining Pin —	All Models	.30
320	Firing Pin Spring —	All Models	.30
10201	Hammer —	All Models	3.00
10210	Hammer Pin —	All Models	.30
10220	Hammer Strut —	All Models	.75
10240	Hammer Strut Anchor Pin —	All Models	.50
10225	Hammer Strut Pin —	All Models	.30
10221	Hammer Strut Ring —	All Models	.30
10215	Hammer Spring —	All Models	.30
10420	Safety —	ST-M-SC-M-O-M-O-I.S.U.	1.75
*10421	Safety (Gold Plated) —	STR-M	2.00
10440	Sear —	All Models	2.75
10480	Sear Adjustment Screw — SC-M-STR-M-O-M-O-I.S.U.		.30
10490	Sear Adjustment Screw Plunger — SC-M-STR-M-O-M-O-I.S.U.		.30
10911	Sear Bar & Trigger Pull Pin Assembly —	All Models	1.50
10461	Sear Bar Spring —	All Models	.30
10465	Sear Pin —	All Models	.30
10471	Sear Spring —	ST-M	.50
10475	Sear Spring Adjustable —	SC-M-STR-M-OM-OM-I.S.U.	.60
10135	Sear Spring Pin —	All Models	.30
10485	Side Plate —	ST-M-SC-M-O-M-O-I.S.U.	.50
*10486	Side Plate —	STR-M	.75
1046	Side Plate Screw —	All Models	.30
10080	Slide Lock Lever —	ST-M-SC-M-O-M-O-I.S.U.	1.50
*10081	Slide Lock Lever —	STR-M	1.75
1255	Slide Lock Spring —	All Models	.30
10526	Trigger (Includes Stop Screw) — ST-M-SC-M-O-M-O-I.S.U.		3.00
10528	Trigger (Optional) (Includes Stop Screw) —	All Models	3.00
*10525	Trigger (Gold Plated) —	STR-M (Includes Stop Screw)	3.25
*10527	Trigger (Gold Plated) (Optional) —	STR-M (Includes Stop Screw)	3.25
10530	Trigger Pin —	All Models	.30
10138	Trigger Stop Screw —	All Models	.30
10179	Trigger Stop Screw (Optional) —	All Models	.30
10150	Weight Bracket, Long, R.H. —	O-I.S.U.	1.25
10152	Weight Bracket, Long, L.H. —	O-I.S.U.	1.25
10155	Weight Bracket, Short, R.H. —	O-I.S.U.	1.25
10157	Weight Bracket, Short, L.H. —	O-I.S.U.	1.25
10147	Weight, Long —	O-I.S.U.	2.00
10142	Weight, Short —	O-I.S.U.	2.00
10166	Weight, Screw —	O-I.S.U.	.30
10167	Wrench, Allen (For Weight Screws) —	O-I.S.U.	.30

INSTRUCTIONS FOR OPERATION AND CARE OF YOUR HI-STANDARD PISTOL

DISASSEMBLY: PUSH-BUTTON MODELS

NEVER PROCEED TO DISASSEMBLE BEFORE UNLOADING.

1. To remove magazine, hold the gun with one hand, cup the palm of the other hand under the grip, grasp the magazine catch between thumb and forefinger and push forward. The magazine will safely drop into your cupped palm.

2. Tournament Models: Point the gun in a safe direction. (Pull back slide and lock in place by pushing up slide lock lever. At the same time examine gun to make certain no cartridge remains in the chamber).

All models that have the rear sight base bracket fastened to frame: Point the gun in a safe direction, hold the gun in one hand, keeping your trigger finger out of the trigger guard. Use other hand to grasp the serrations at the front of the slide firmly between thumb on one side and fore-and middle finger on the other side, then push the slide rearward and move slide lock lever up. Inspect the chamber again to be sure it is empty.

3. Move safety button upward to ON position. This movement locks hammer and sear, disconnects the trigger and completely separates sear bar from sear. Even if the trigger is pulled accidentally the sear bar cannot reach the sear. This means complete protection for the shooter.

FIGURE 1

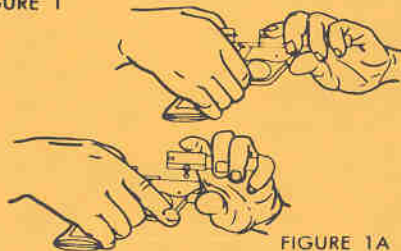


FIGURE 1A

4. Right hand shooters should grasp pistol as shown in Figure 1. (Left hand shooters — reverse position.) Right hand grasps gun with thumb over retracted slide and four fingers under trigger guard around front strap of frame. Place four fingers of left hand over barrel and depress takedown plunger with thumb of left hand. Lift barrel out of its bedding with a straight upward motion. (See Figure 1A.) NOTE: Prolonged shooting tightens the barrel even more firmly in its bedding. If, after extensive shooting, it becomes difficult to remove barrel by thumb pressure alone, press takedown plunger against solid object to remove barrel from frame. In removal of barrel, always have slide held open by slide lock to prevent possible damage to extractor.

5. Pull back locked slide a short distance to release slide lock and ease slide forward off the frame.

6. If it is desired to uncock hammer, after disassembly of barrel and slide, move safety button down to OFF position. Then press thumb firmly against top of the hammer, pull gradually against trigger and ease hammer forward. It is not recommended to allow the hammer to snap forward when the gun is disassembled.

When removing right-hand grip, be careful not to lose Slide Lock Spring (see part number 1255 on front page illustration).

ASSEMBLY AND LOADING:

1. Cock hammer by thumb pressure if it has been uncocked during disassembly.

2. Replace slide by lining up with grooves on frame. Retract slide to most rearward position and lock in place by pushing up slide lock lever. Now grasp frame and slide as in Figure 1 with right hand. Grasp barrel with left hand. Depress takedown plunger with thumb and seat barrel firmly in frame. Release takedown plunger and allow to snap forward. Make certain that barrel is firmly locked in frame. After the barrel is replaced in the frame, al-

ways snap the slide a few times against the barrel to securely seat the barrel lock plunger.

3. Trigger pull: To make pull heavier, turn Sear Adjustment Screw (Part Number 10480), located in rear of frame, in a clockwise direction. To lighten, pull to individual preference, turn screw in a counterclockwise direction. Lightest pull is obtained when screw is flush with surface of frame.

Note: Sear Adjustment Screw is factory set to minimum pull. Each half turn or click or screw equals the addition or subtraction of 1½ ounces.

4. Assure yourself once more that the gun is completely empty (both chamber and magazine). To obtain the most positive let off, place the hammer in cocked position by retracing slide. Let trigger stop screw protrude far enough from the back of the trigger that, when the trigger is pulled, the hammer will not fall. Then, while exerting pressure on the trigger, turn screw counter clockwise until the hammer falls. Turn the screw an additional ¼ turn counter clockwise.

5. Push safety upward into ON position.

6. Load magazine by grasping as shown in Figure 2, and gradually depress the magazine button as each cartridge is inserted — RIM END FIRST — through the front.

HI-STANDARD PISTOLS ARE FACTORY TESTED WITH ALL STANDARD BRANDS OF AMMUNITION.

7. Slide must be retracted before fully loaded magazine can be inserted so far that magazine catch snaps in place.

PULL SLIDE BACK, AND ENGAGE SLIDE LOCK LEVER MANUALLY TO HOLD SLIDE OPEN.

8. Release safety.

9. Grasp pistol in one hand and with the other pull or push the slide as far back as it will go. See Figure 3. Release slide and it will strip a cartridge from magazine and feed it into barrel chamber. Gun is now ready to fire by pulling trigger.

THIS IS A SEMI-AUTOMATIC PISTOL AND TEN SUCCESSIVE SHOTS MAY BE FIRED BY SIMPLY PULLING THE TRIGGER FOR EACH SHOT.

10. Make gun safe. ALWAYS CARRY PISTOL WITH SAFETY ON — UNTIL READY TO USE. The safety is located at an accessible thumb-tip position so that it may be easily released when pistol is pointed at target. When loading a single cartridge into chamber, be sure slide is locked in open position with slide lock. Because slide lock lever is designed for easy release, it is recommended that slide also be held by hand.



FIGURE 2

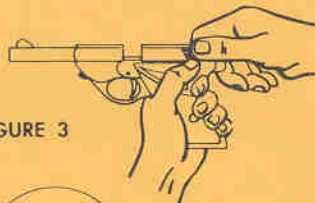


FIGURE 3



CORRECT SIGHT PICTURE

CARE AND MAINTENANCE:

1. If, after extensive shooting, cleaning becomes necessary, the use of kerosene or any other good cleaning solution is recommended.

2. In cleaning the muzzle, an old toothbrush or similar brush should be used. If mud or foreign

matter should enter the bore, a stiff bristle brush or copper wire brush for .22 caliber guns should be used. After brush has removed all mud and foreign matter, the bore should be swabbed with flannel patches attached to a .22 caliber cleaning rod. Patches should be moistened with a good gun oil and the swabbing of the bore should be continued until the patches come out clean.

3. It is recommended that the magazine be completely immersed in kerosene every 500 to 800 rounds. (Make certain that there is no water in the container. Where kerosene is stored in open containers atmospheric moisture sometimes accumulates in the bottom of the container. Thus parts are actually being immersed in water and not kerosene). Remember, a dirty magazine may prevent a cartridge from rising fast enough, so that the slide may close on an empty chamber.

4. A few drops of light-bodied oil should be put into the action from time to time. When this is done, it is suggested the slide be removed for better dispersion.

5. To avoid over-accumulation of lead in the stabilizer it is suggested that the tool furnished be used to scrape out the inside of the stabilizer. If an over-accumulation of lead and powder residue occurs, a good quality commercial lead solvent should be used.

6. Before first firing the gun, make certain that the bore is clean and free from any obstruction. If the bore has been filled with grease for extended storage, all grease should be removed before shooting by swabbing out the bore with a .22 caliber bore-cleaning tool. Also remove any excessive accumulation of oil from inside of the barrel.

7. The entire gun should be wiped dry of kerosene or cleaning solution with a clean absorbent cloth and the surfaces should be wiped with a lightly-oiled patch.

8. For best results in rust prevention only gun oils containing silicone should be used.

9. Avoid using heavy-bodied oils. No animal or vegetable oils should ever be used on guns.

10. If the gun is used in climates where extreme cold prevails, powdered graphite should be substituted for oil in lubricating the internal mechanism. In moist climates the gun should be cleaned more frequently and preferably stored in a container treated with silicone to prevent rust.

All Supermatic Pistols are equipped with completely redesigned, ultra-modern micrometer rear sights with oversize, easily adjustable windage and elevation knobs. A positive sighting system with audible clicks and dependable calibrations. Extra-wide, square-notch leaf plus undercut frontblade with serrated ramp give the sharpest picture under all range conditions.

To elevate the point of impact (gun shooting low) turn the elevation adjustment screw in a counterclockwise direction. This screw is located on the top of the rear sight leaf.

To move point of impact to the right (gun shooting left), turn windage adjustment screw in clockwise direction. This screw is located on the right side of the rear sight base. For easy reference for any desired setting, both windage and elevation screw knobs are clearly indexed with distinct, legible figures and calibrations. Sight leaf shows direction of desired movements. For each turn of micrometer screws there are 10 calibrations — each calibration marked by a definite click.

USE A DIME OR STABILIZER CLEANING TOOL AS A SCREWDRIVER WHEN MAKING SIGHT ADJUSTMENTS.

DRY FIRING:

In dry firing the pistol in practice, it is best to first insert a dummy cartridge or fired case into the chamber. This will prevent damage to the firing pin and the barrel.

These guns will fire regular or hi-velocity .22 L.R. caliber ammo.

FOR TOP PERFORMANCE: Clean magazine with kerosene or other dependable solvent after every 300 rounds . . . ALSO clean stabilizer with the tool furnished after every 300 rounds.