

Great Guns TAILORED TO YOU
by HIGH STANDARD



PARTS LIST FOR

12-23-66

BOLT ACTION "REPEATER" SHOTGUN
MODEL 514

8370	MODEL 514.1400	B.A. REPEATER PLAIN	12 GA.	FULL CHOKE
8371	MODEL 514.1400	B.A. REPEATER PLAIN	16 GA.	FULL CHOKE
8372	MODEL 514.1400	B.A. REPEATER PLAIN	20 GA.	FULL CHOKE
8373	MODEL 514.1400	B.A. REPEATER	12 GA.	ADJ. CHOKE
8374	MODEL 514.1400	B.A. REPEATER	16 GA.	ADJ. CHOKE
8375	MODEL 514.1400	B.A. REPEATER	20 GA.	ADJ. CHOKE

HOW TO ORDER REPAIR PARTS

The following information must be furnished when ordering replacement parts:

1. Model Name and Number
2. Catalog Number
3. Number and Name of Parts

SHOTGUN SHIPPING INSTRUCTIONS

CAUTION: For safety of all concerned — Be absolutely certain shotgun is empty . . . with no shells in chamber and magazine.

Shotgun should be securely packaged in a throwaway carton to prevent damage in transit. Do not ship shotgun to the factory in gun carrying case or other special containers which must be returned by our service department.

Shotgun should be shipped to the factory — Express Prepaid or insured parcel post.

REMEMBER: All Shipments to the factory must be Prepaid.

FACTORY SERVICE

If parts are to be fitted at the factory, send firearms marked for the attention of our SERVICE DEPARTMENT, furnishing complete and specific repair instructions. A cost estimate of the parts and labor charges will be immediately sent for your approval before work is started. Unless a flat rate charge is specified, a MINIMUM of \$6.50 will be charged on servicing firearms at the factory.

MINIMUM ORDER \$1.00

A minimum charge of \$1.00 is made on all orders where the normal cost would be less than \$1.00. If you wish, order extra parts to make up the minimum charge.

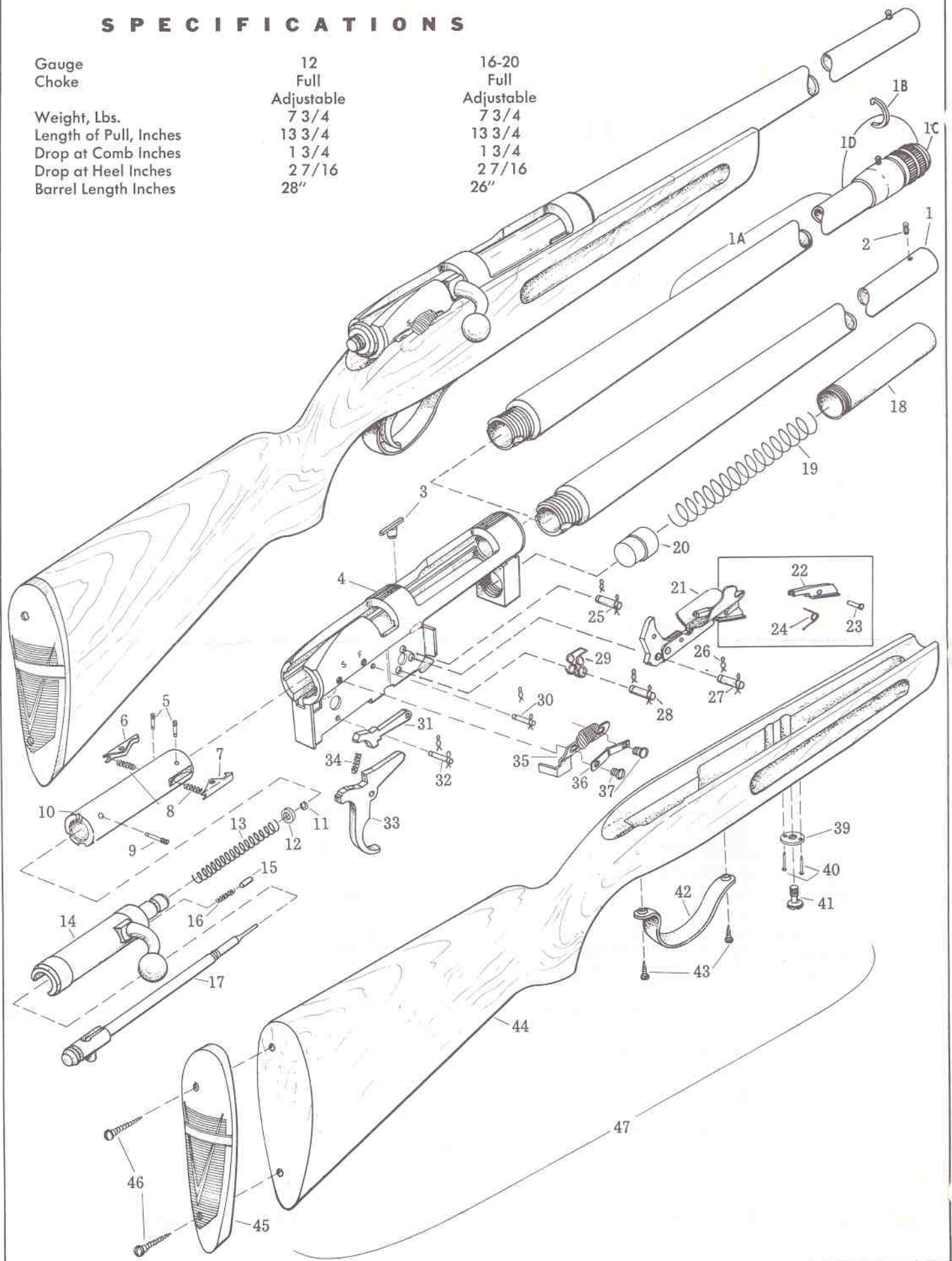
PAYMENT

All parts shipments will be made by Parcel Post C.O.D. unless advance remittance is made. PLEASE DO NOT SEND CASH OR STAMPS. Checks, Money Orders, or Drafts are acceptable and will save you C.O.D. charges.

THE HIGH STANDARD MFG. CORP., HAMDEN, CONNECTICUT

S P E C I F I C A T I O N S

Gauge	12	16-20
Choke	Full	Full
	Adjustable	Adjustable
Weight, Lbs.	7 3/4	7 3/4
Length of Pull, Inches	13 3/4	13 3/4
Drop at Comb Inches	1 3/4	1 3/4
Drop at Heel Inches	2 7/16	2 7/16
Barrel Length Inches	28"	26"



CAUTION: FOR SAFETY'S SAKE DO NOT ATTEMPT TO REPAIR SHOT GUN WITHOUT RECEIVING RELIABLE

PARTS LIST FOR

MODEL 514 BOLT ACTION "REPEATER" SHOTGUN

514.1400

WHEN ORDERING REPAIR PARTS, ALWAYS GIVE THE FOLLOWING INFORMATION AS SHOWN IN THIS LIST:

1. THE PART NUMBER
2. THE PART NAME
3. THE MODEL NUMBER
4. THE IDENTIFICATION NUMBER

All parts identified with a dagger (†) must be fitted to the gun by qualified gunsmiths.
Do not order repair parts by key number, always use the part number.

REF. NO.	PART NO.	DESCRIPTION	RETAIL PRICE EACH	REF. NO.	PART NO.	DESCRIPTION	RETAIL PRICE EACH
1	11140	†Barrel (12 Ga.)	\$12.00	N.I.	11906	Firing Pin & Bolt Body Assembly (16 Ga.)	\$ 7.00
1	11143	†Barrel (16 Ga.)	12.00	N.I.	11909	Firing Pin & Bolt Body Assembly (20 Ga.)	7.00
1	11146	†Barrel (20 Ga.)	12.00	18	11975	Magazine Tube Assembly (12 Ga.)	2.00
1A	11141	†Barrel / Adj. Choke Assembly (12 Ga.)	17.00	18	11977	Magazine Tube Assembly (16 Ga.)	2.00
1A	11144	†Barrel / Adj. Choke Assembly (16 Ga.)	17.00	18	11979	Magazine Tube Assembly (20 Ga.)	2.00
1A	11147	†Barrel / Adj. Choke Assembly (20 Ga.)	17.00	19	11370	Magazine Spring (12 & 16 Ga.)	.50
1B	11628	Choke Click Spring (12 Ga.)	.35	19	11375	Magazine Spring (20 Ga.)	.50
1B	11630	Choke Click Spring (16 Ga.)	.35	20	11361	Magazine Follower (12 Ga.)	.50
1B	11633	Choke Click Spring (20 Ga.)	.35	20	11365	Magazine Follower (16 Ga.)	.50
1C	766	Choke Cap (12 Ga.)	3.50	20	11368	Magazine Follower (20 Ga.)	.50
1C	11615	Choke Cap (16 Ga.)	3.50	21	11892	Cartridge Lifter Assembly (12 Ga.)	4.50
1C	11620	Choke Cap (20 Ga.)	3.50	21	11897	Cartridge Lifter Assembly (16 Ga.)	4.50
1D	8768	Choke Assembly (12 Ga.)	8.00	21	11899	Cartridge Lifter Assembly (20 Ga.)	4.50
1D	2726	Choke Assembly (16 Ga.)	8.00	22	11241	Cartridge Stop & Lifter (12 Ga.)	.40
1D	2852	Choke Assembly (20 Ga.)	8.00	22	11246	Cartridge Stop & Lifter (16 & 20 Ga.)	.40
2	130	Front Sight (All Ga.)	.25	23	215	Cartridge Stop & Lifter Pin	.25
3	11252	Ejector (All Ga.)	.40	24	217	Cartridge Stop & Lifter Spring	.25
4		Receiver (Illustrated: But not sold as spare part)		25	11201	Cartridge Lifter Stop Pin (All Ga.)	.25
5	11297	Extractor Retaining Pin (All Ga.)	.25	26	11580	Pin Retaining Spring (All Ga.)	.25
6	11282	Extractor L.H. (All Ga.)	.40	27	11201	Cartridge Lifter Pin (All Ga.)	.25
7	11272	Extractor R.H. (All Ga.)	.40	28	11201	Cartridge Lifter Spring Pin (All Ga.)	.25
8	11275	Extractor Springs (All Ga.)	.25	29	11211	Cartridge Lifter Spring (All Ga.)	.25
9	124	Bolt Head Ret. Pin (12 Ga.)	.25	30	11451	Sear Pin (All Ga.)	.25
9	11125	Bolt Head Ret. Pin (16 & 20 Ga.)	.25	31	11441	Sear (12 & 16 Ga.)	1.00
10	11093	Bolt Head (12 Ga.)	4.25	31	11442	Sear (20 Ga.)	1.00
10	11103	Bolt Head (16 Ga.)	4.25	32	11451	Trigger Pin (All Ga.)	.25
10	11113	Bolt Head (20 Ga.)	4.25	33	11522	Trigger (All Ga.)	1.35
N.I.	11820	Bolt Head Assembly (12 Ga.)	11.50	34	11541	Trigger Spring (All Ga.)	.25
N.I.	11821	Bolt Head Assembly (16 Ga.)	11.50	35	11421	Safety (12 & 16 Ga.)	.95
N.I.	11822	Bolt Head Assembly (20 Ga.)	11.50	35	11425	Safety (20 Ga.)	.95
11	11330	Firing Pin Spring Ret. Sleeve Stop Ring (All Ga.)	.25	36	11435	Safety Spring (All Ga.)	.25
12	11325	Firing Pin Spring Ret. Sleeve (All Ga.)	.25	37	11430	Safety Screw (All Ga.)	.25
13	227	Firing Pin Spring (All Ga.)	.25	39	11500	Takedown Escutcheon (All Ga.)	.30
N.I.	11810	†Bolt Body & Head Assembly (12 Ga.)	11.50	40	11505	Takedown Escutcheon Pin (All Ga.)	.25
N.I.	11811	†Bolt Body & Head Assembly (16 Ga.)	11.50	41	11510	Takedown Screw (All Ga.)	.50
N.I.	11812	†Bolt Body & Head Assembly (20 Ga.)	11.50	42	11530	Trigger Guard (All Ga.)	.50
14	11871	Bolt Handle & Bolt Body Assembly (12 Ga.)	5.00	43	11535	Trigger Guard Screw (All Ga.)	.25
14	11876	Bolt Handle & Bolt Body Assembly (16 Ga.)	5.00	44		Stock (Illustrated: But not sold as spare part)	
14	11879	Bolt Handle & Bolt Body Assembly (20 Ga.)	5.00	45	620	Butt Plate (All Ga.)	1.30
15	11151	Bolt Head Detent (All Ga.)	.25	46	345	Butt Plate Screws (All Ga.)	.25
16	11156	Bolt Head Detent Spring (All Ga.)	.25	47	11924	Stock Assembly (12 Ga.)	12.50
17	11941	Firing Pin & Head Assembly (All Ga.)	2.00	47	11840	Stock Assembly (16 Ga.)	12.50
N.I.	11901	Firing Pin & Bolt Body Assembly (12 Ga.)	7.00	47	11841	Stock Assembly (20 Ga.)	12.50

Note: N.I. Not Illustrated

BOLT-ACTION SHOTGUN

This is among the lowest priced 3-shot repeater available, yet it has many expensive-gun features! The High Standard Model 514 is a safe and accurate gun with a fast action bolt. It loads from beneath into a smooth tubular magazine, which means smooth loading with no clip to lose!

Anyone would be proud to own a shotgun like the Model 514. This handsome High Standard model has a beautifully grained one-piece walnut finished stock, an easy-to-hold pistol grip, and a precision-machined trigger mechanism for a smooth creep-free pull. The receiver is fine alloy steel to withstand high breech pressure. An independent safety slides close to receiver for greatest possible protection. The barrel of high tensile strength steel has been proof-tested to insure safe use even with maximum loads. There is a non-glare metal bead front sight for fast, accurate aiming.

IMPORTANT:—Before firing this gun be sure to clean the inside of barrel thoroughly of grease and any obstructions.

ALWAYS CHECK TAKEDOWN SCREW TO BE SURE IT IS ALWAYS TIGHT.

CLEANING & LUBRICATING

Present day ammunition practically eliminates any need for barrel cleaning. Should powder residue or any dirt accumulate in the barrel, however, it can be easily removed. Open the bolt by rotating the bolt handle upwards and then pulling it back. With the heel of the stock resting on the floor, hold the gun barrel near the muzzle with the left hand. Push a brass cleaning brush soaked in solvent through the muzzle end of the barrel, and work it up and down through the entire length of the bore. Follow this by wiping the bore with clean patches until the last one comes out unsoiled. A light protective film of oil may be applied with a patch if desired.

NOTE:

The choke on your plain barrel gun will be identified with asterisks on the left side of the barrel near the breech just above the forearm as follows:

One Asterisk (*) Full Choke.

Two Asterisks (**) Mod. Choke.

Three Asterisks (***) Imp. Cyl. Choke.

OPERATING INSTRUCTIONS

TO MAKE GUN SAFE: Push safety button (right side of receiver) forward until it is directly over "F" on receiver, making "S" fully visible. This movement of safety locks trigger, and gun can not be fired. Always lock this safety when carrying gun loaded.

TO DISASSEMBLE BOLT FROM RECEIVER: Model 514 is shipped with bolt assembled in receiver. To disassemble bolt from gun, remove stock, push cartridge lifter stop pin out of receiver, (see exploded view for correct pin) and pull down cartridge lifter. The bolt can now be pulled rearward out of receiver.

TO LOAD MAGAZINE: Rotate bolt handle upward, then pull bolt handle back until carrier is in upward position. Turn gun upside down. Insert shells into magazine which holds two shells. To load third shell, turn gun to shooting position, insert front end of shell in ejection port and slide forward until it drops into carrier.

TO LOAD CHAMBER: With safety button on "safe" position and loaded shell in carrier, push bolt handle forward and lock bolt. Gun is now loaded.

TO RELEASE SAFETY: When ready to fire, move safety button to full rear position.

TO REPEAT: Rotate bolt handle upward and pull to rear. This extracts fired shell from barrel. Push bolt handle forward and downward, locking bolt. Gun is ready to fire.

TO ASSEMBLE STOCK: To assemble stock with action, fit action in stock and push to full rearward position. Tighten takedown screw in stock into the receiver. To take down this shotgun, unscrew takedown screw, grasp the barrel, and lift upward disengaging it from the stock.

It is advisable to check this takedown screw after heavy firing to make sure it is always tightly assembled.